

SANETEL-P90T

Ku-band Planar-array Fly-away VSAT Antenna



Ever-lasting remarkable performance even on Everest

Excellent portability / Automatic Tracking operation / Great tolerance to extreme environments

SANETEL-P90T Ku-band Planar-array Fly-away VSAT Antenna, is designed for outdoor and wilderness satellite communication. SANETEL P90T uses high-efficiency planar-array antenna to achieve ultra compact design. By only one button press, the antenna would automatically deploy, track the satellite, adjust and retract. SANETEL P90T can also be set up easily without any calibration. The compact and modular design makes it easy to adapt to specific packaging.

SANETEL-P90T

Excellent portability/ Automatic Tracking operation / Great tolerance to extreme environments

Ku-band Planar-array Fly-away VSAT Antenna

Advantages

- **Detachable and Portable**

SANETEL P90T utilizes detachable planar antenna with multiple sub-arrays, resulting in ultra-compact, light-weight and portable features.

- **Multi-modes Operation**

Automatic, semi-automatic and manual modes are available for system operation to keep antenna functional in case of power loss.

- **One-Man-Operation**

Compact and modular design makes it possible for one person to assemble or disassemble in less than 5 minutes.

- **One-Button-Press Function**

By only one button press, the antenna would automatically deploy, track the satellite, adjust and retract in spite of any initial posture.

- **Excellent Compatibility and Expansibility**

SANETEL P90T supports TDMA, SCPC or Spread Spectrum and is compatible with a wide range of commercially available modem systems. Wireless control and remote management function are optional.

- **SANETEL Service**

After sales service is available 24x7x365 by hotline, E-mail and on-site engineers.

Specifications

Mechanical

Antenna Type	Planar-array antenna
Equivalent Dish Diameter	90 cm
Reflector Block	2 pieces, detachable
Packaging Dimension(L×W×H)	600mm×600mm×420mm (Depends on Requirement)
Antenna Weight	28 kg

Electrical

Frequency Range	Rx: 12.25~12.75 GHz Tx: 14.00~14.50 GHz
Gain	Rx: 38.5 dBi (12.50 GHz) Tx: 39.0 dBi (14.25 GHz)
The first side-lobe	≤-14dB
Cross-polarization isolation	≥30 dB (within 1 dB BW)
G/T	17dB/K@30° elevation
Signal Polarization	Liner Orthogonal
Power Requirement	AC 220 V @ 50 Hz
Power Consumption	50W

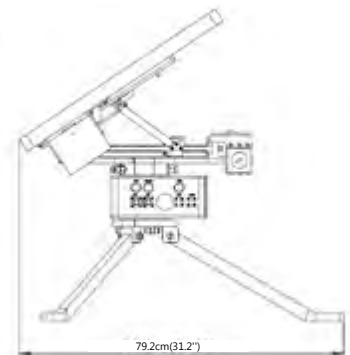
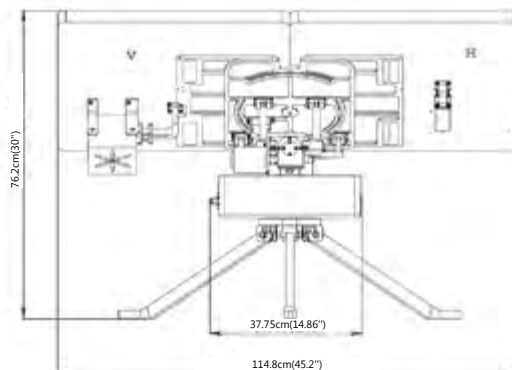
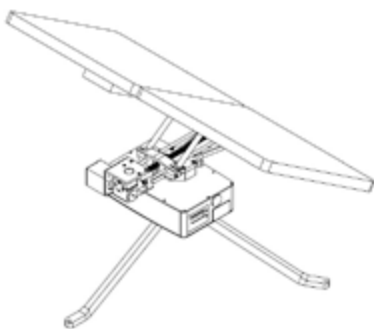
Tracking Performance

Initialization Time	≤2 min
Azimuth Range	±90°
Elevation Look Angle Range	+10°~+85°
Antenna Polarization Range	±35°
GPS/Beidou	Built-in

Environmental

Operating Temperature	-40°C~+60°C
Storage Temperature	-45°C~+65 °C
Ingress Protection Rating	IP65

Antenna Dimension



Ver. June.2014