

# SANETEL-P100

Ku-band Parabolic  
Fly-away VSAT Antenna



## *Ensure ever-lasting remarkable performance even on Everest*

Excellent portability / Automatic Tracking operation  
Great tolerance to extreme environments

SANETEL-P100 Ku-band Parabolic Fly-away VSAT Antenna , is designed for outdoor and wilderness satellite communication. The antenna reflector is made from carbon fiber dismantlable in 6 pieces, which makes the system high-strength and light-weight. One button press, the antenna would automatically deploy, track the satellite, adjust and retract. SANETEL P100 can also be set up easily without any calibration. The compact and modular design makes it easily to specific packaging.



Portable  
Application



Carbon  
Fibre  
Antennatype



Auto  
Tracking



IP65  
Protection



24 x 7  
Service

**SANETEL**

Tel : 86-10-59415188  
Fax : 86-10-57915796

Website : [www.sanetel.com](http://www.sanetel.com)  
E-mail : [international@sanetel.com](mailto:international@sanetel.com)

# Specifications

Mechanical		Environmental	
Equivalent Dish Diameter	1000mm	Operating Temperature	-40 C ~+60 C
Antenna Type	Gregorian Offset double reflector antenna	Storage Temperature	-45 C ~+70 C
Reflector Block	6 pieces, 5 detachable	Ingress Protection Rating	IP65
Packaging Dimension(L×W×H)	700×465×440mm	Operating wind	Up to 72kph
Antenna Weight	28 kg		
Electrical		Tracking Performance	
Frequency Range	Rx: 10.95~12.75 GHz	Initialization Time	≤2 min
	Tx: 13.75~14.50 GHz	Azimuth Range	±90°
Gain	Rx: 39.6 dBi (12.50 GHz)	Elevation Look Angle Range	+20°~+90°
	Tx: 40.7 dBi (14.25 GHz)	Antenna Polarization Range	0°~+270°
Side-lobe	Compliant with ITU-R S.580-6, EESS 502,FCC§25.209	GPS/BDS	Built-in
Cross-polarization isolation	≥30dB (within 1dB BW)		
G/T	17.5dB/K@30°elevation		
Signal Polarization	Liner Orthogonal		
Power Consumption	≤80W		

## Advantages

### Detachable and Portable

SANETEL P100 detachable Gregorian Offset carbon fiber 6-pieces-reflector antenna systems ,bring light weight and portability.

### Multi-modes Operation

Automatic,semi-automatic and manual modes are avail-able for system operation to keep antenna functional in case of power loss.

### One-Man-Operation

Compact and modular design makes it possible for one per-son to assemble or disassemble in less than 5 minutes.

### One-Button-Press Function

Only button press, the antenna would automatically deploy, track the satellite, adjust and retract in any initial posture.

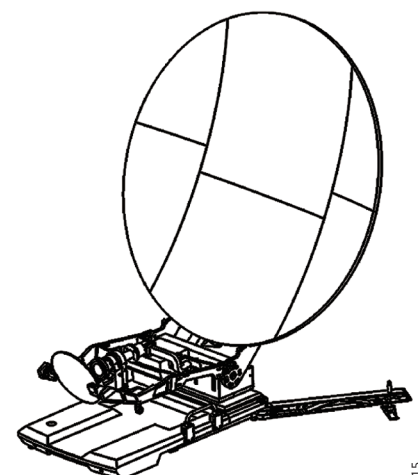
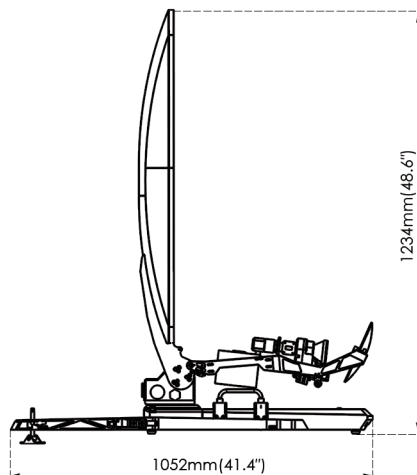
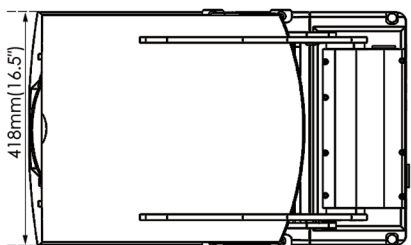
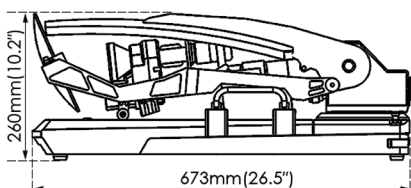
### Excellent Compatibility and Expansibility

SANETEL P100 supports TDMA, SCPC or Spread Spectrum and is compatible with a wide range of commercially available modem systems. Wireless control and remote management function are optional.

### SANETEL Service

After-sales service is available 24x7x365 by hotline, E-mail and on-site engineers.

## Antenna Dimension



Ver:Apr.2015